

GERNEP

MADE IN GERMANY

PRECISION IN LABELLING

LABETTA

**Universal Cold Glue
Labelling with High-End
Technology**

LABETTA

MADE IN GERMANY

LABETTA

LABETTA

Universal Cold Glue Labelling with High-End Technology



Fully automatic labelling machine for containers made of glass, plastic, metal, and moulded containers

Performance range:

Dependant on the type of machine and the packaging
1,000 – 50,000 containers/hour

With this versatile labelling machine with fixed label magazines, we cover all traditional labelling requirements in the beverage, food, and non-food industries. The combination of tried and proven technologies such as: stainless steel glue roller, rubber-coated glue palettes, split glue scraper blade with glue-saving fine adjustment of the glue thickness, overlapping drive for exact label positioning and split table control cam as well as efficient conversion to other packaging sizes make these labelling machines unique in their performance classes.

Advantages of the GERNEP LABETTA System

- high machine availability through brand-name components in the drive and controller
- rotary construction with exact bottle guidance
- space-saving, compact construction
- tried and proven wet-glue labelling with high-end technology
- stainless steel glue rollers with rubber-coated palettes
- split glue scraper blade with fine adjustment
- maintenance-free table control cam split into segments
- special overlapping drive for precise label positioning
- reliable PLC controller
- extensive safety systems

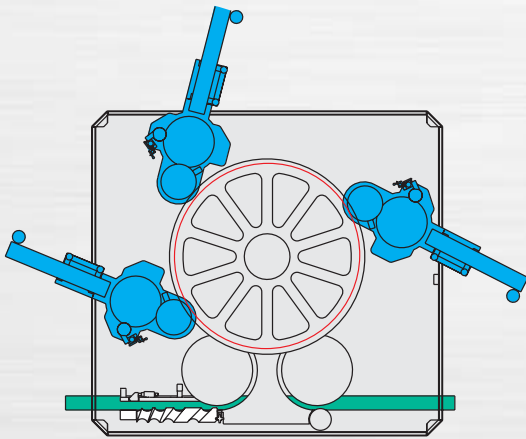
Our Configuration Possibilities:

The GERNEP LABETTA is a universal labelling machine that utilises all the advantages of cold glue labelling.

Front, neck, and back labels, neck ring labels, sparkling wine loops, snap-top lids, and seal security labels, wine seals, sloping strips, medallions, and tin-foiling can be applied to the bottles flexibly.



Robust and Solid – Made in Germany



How it functions: multifunctional, user-friendly, and reliable

Operation, Conversion, Maintenance

The design of the GERNEP LABETTA is based on extreme user friendliness.

- no tools are necessary to convert to different container formats,
- setting to different bottle heights takes place in the higher performance range by means of electric height adjustment,
- table covers and bottle tables are maintenance free,
- for personal safety, extensive safety systems are installed on the machine.

Drive and Control

The drive of the GERNEP labelling machine uses a three-phase AC motor with a frequency-controlled drive. The integration of a programmable logic controller (PLC) guarantees not only reliable functionality, but it also opens up the LABETTA labelling machine to a variety of special attachments.

Initiators installed in the inlet and outlet make it possible to have fully automatic operation and speed monitoring. The electrical installation is completely prepared for integration in new or existing lines.



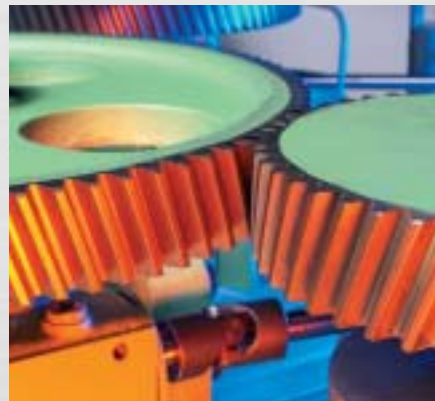
Precision Labelling Unit

The GERNEP LABETTA wet gluing unit is subject to constant further development.

The precise and trouble-free performance has been tried and proven in a great variety of container formats. The combination of rubber-coated gluing pallets and the stainless steel glue roller is standard and is very convincing due to its low glue consumption.

Other advantages of the GERNEP labelling units are:

- gluing pallets are wear-resistant, individually replaceable, and adjustable
- "No bottle - no label - no glue" automatic mechanism is standard in the machine
- unit shifting for label adjustments while the machine is running through a separate shifting gear mechanism
- maintenance-free, heated glue pumps are a standard feature



Flexible for Economical Individual Solutions

The LABETTA labelling machines are problem-free and economical to retrofit for other types of bottles. The table cam that is divided into segments increases the flexibility for future bottle designs. Through exchangeable table cam segments, absolutely no major installation work is necessary and above all, it is not necessary to replace the complete table cam. Bottle alignment, hot glue unit as well as date marking can be retrofitted at any time.

Precision Inclined Gearing

Robust and Solid

- The practical, compact construction is matched to the performance class.
- Economical, customer-specific one-off production through technically mature modular system
- The gearbox of the labelling unit runs in an oil bath, which leads to a longer service life
- Optimum corrosion protection through high-quality materials such as stainless steel and wear-resistant plastics
- Inclined cut geared wheels ensure very quiet running and engage almost silently
- Low noise through the use of noise reducing, abrasion-resistant plastics
- Installation of self-adhesive dispensers for self-adhesive labels possible on request



The drive: modular and long-lasting



GERNEP

MADE IN GERMANY

PRECISION IN LABELLING

Special Attachments:

Through our flexible modular system, we can adapt the LABELTA to different requirements or retrofit it afterwards in a cost-conscious way. That way, you are ready for all future labelling requirements with a LABELTA labelling machine.

We would be happy to advise you on the possibilities that this labelling machine provides.

Mechanical Container Alignment:

To align the labels for recessed or raised areas such as seals and the like, we offer reliable mechanical alignment using bottom or sidewall cams on the container.

Electronic Container Alignment:

Depending on the shape of the packaging and the labelling requirements, photoelectric alignment can be installed. Using pulse control, a correctly aligned label position is achieved.

Over-top-foiling with Alu-foil / Tax-strip labelling:

Neck-ring labelling or with additional aggregates Over-top-foiling and Tax-strip labelling can be added easily as clip-lock bottle orientation with special label-press on system. Please ask us for further special solutions.

Dating:

With our variable inkjet or laser printers, we can put expiry dates, price or contents information, as well as test numbers or code number on any desired location of the label.

Label Checking:

With this electronic label checking station that can be integrated in the machine, a pusher can be controlled at the outlet that sorts out incorrectly glued bottles.

More than 30 Years of Tailor-Made Labelling Machines – Made in Germany

Just like Germany is dedicated to the art of brewing, we at GERNEP have been dedicated to our claim of "precision machine construction Made in Germany" for more than 30 years. Thanks to the solid know-how of Helmut Gerstberger, Berthold Neppel, and in the second generation Martin Hammerschmid in management, we maintain closeness to the customer that makes decisions possible in the fastest possible way and which makes it possible to complete projects economically and responsibly.

Consulting

Even before an order, we provide advice on the best and most economical solution, starting with optimum processing materials and practical label formats, right up to advanced labelling possibilities provided by our labelling machines.

Design

Our labelling machines are adapted by our designers on the most modern CAD systems to meet the specific requirements. Through ongoing new developments, our machines are always state of the art.

Installation / Repair Service

With our worldwide customer service network, we offer reliable local support after the machine is put into operation.

Our technical service staff can be deployed worldwide in the shortest possible time if need be. We keep the maintenance and repair work to a minimum through our online service. That way, we simplify troubleshooting and repairs in a cost-saving way.

Project Management

Our practical development team will find the optimum solution for any planning requirement. We provide quick and uncomplicated consulting onsite and develop your project plans on the most modern CAD systems.

Made in Germany

As an accompaniment to our combined series and individual production on modern CNC machining centres, all work steps are documented for later conversions or expansions. Ongoing quality control and extensive trial runs before shipping the machine guarantee fast installation onsite.

Spare Parts Service

Our extensive spare parts service ensures fast availability in the event of repairs and conversions. Our well-stocked warehouse and flexible production guarantee an uninterrupted supply of all spare parts and fittings worldwide, even after years.

GERNEP GmbH

Benzstraße 6

93092 Barbing/GERMANY

Tel.: +49 (0)94 01 /92 13 -0

Fax: +49 (0)94 01 /92 13 -29

E-Mail: info@gernep.de

Internet: www.gernep.com



MADE IN GERMANY

Subject to technical changes

1.06.RP / www.agentur-rubel.de

